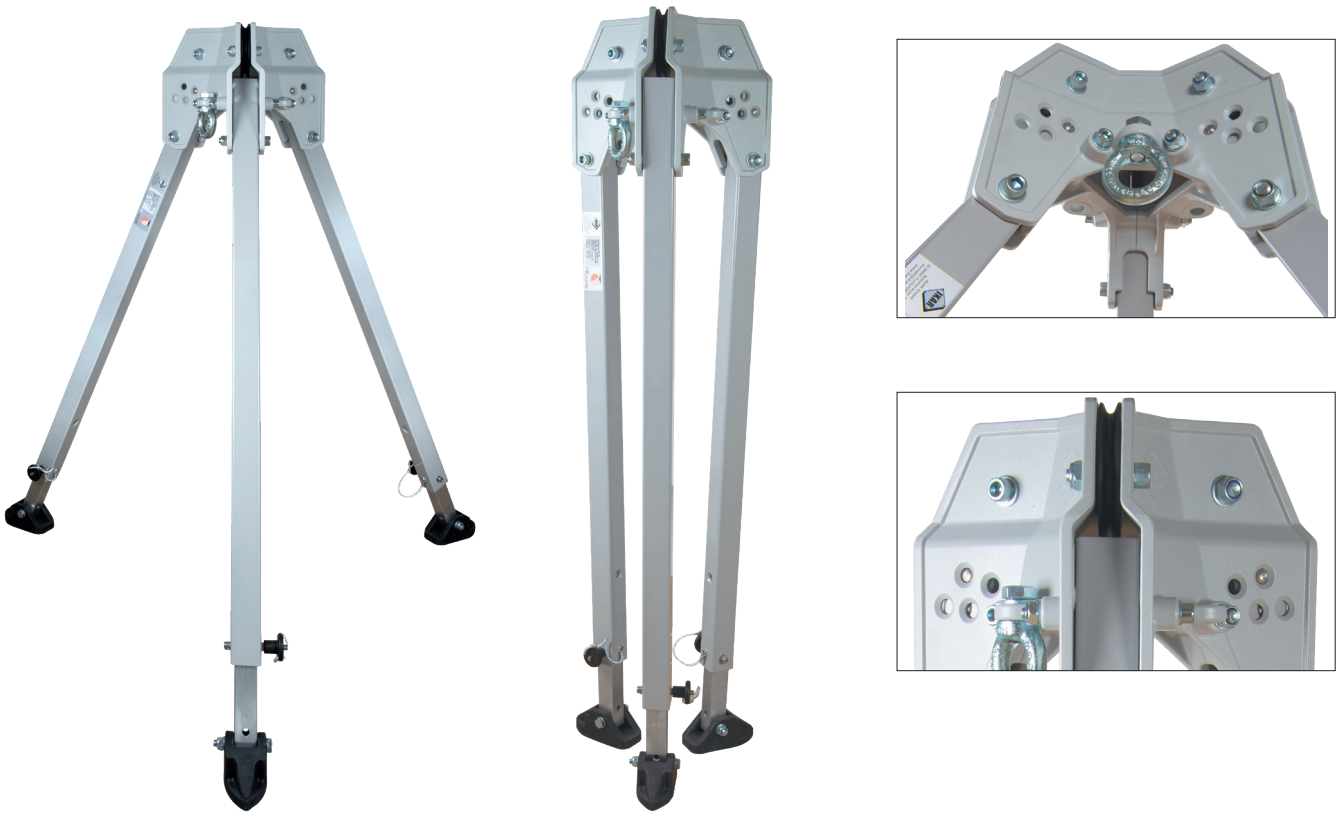


## Tripod DB-A3 short

Certified as load fastening device for PPE in accordance with EN 795:2012 Typ B and CEN/TS 16415:2013



### Product information:

Detailed measurements at the back

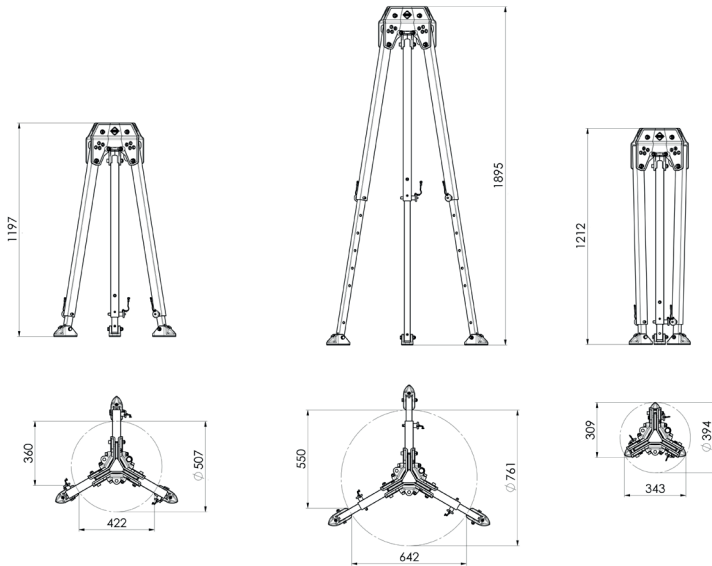
Order No.:	Mounting diameter (B)	Height (H)	Transport length	Weight
41-49k	Ø 343 mm bis Ø 1373 mm	1118 mm bis 1895 mm	1212 mm	19 kg
40-58	OPTIONAL: Tripod Carrying and Protection Bag			
41 - xx	OPTIONAL: HRA Height Safety Devices up to 42 m			

### Features:

- Lightweight aluminum tripod
- Legs are adjustable in 3 different angles
- 3 deflection pulleys, inside, for cables from Ø 4.8 - 11 mm
- 3 separate anchorage points
- Corrosion resistant by coating
- Anchorage system for max. 3 persons
- equipped with foldable rubber feet
- applicable with all IKAR HRA Rescue Devices (Typ HRA)
- **optional** : HRA Height Safety Devices up to 42 m
- **optional** : Tripod Carrying and Protection Bag

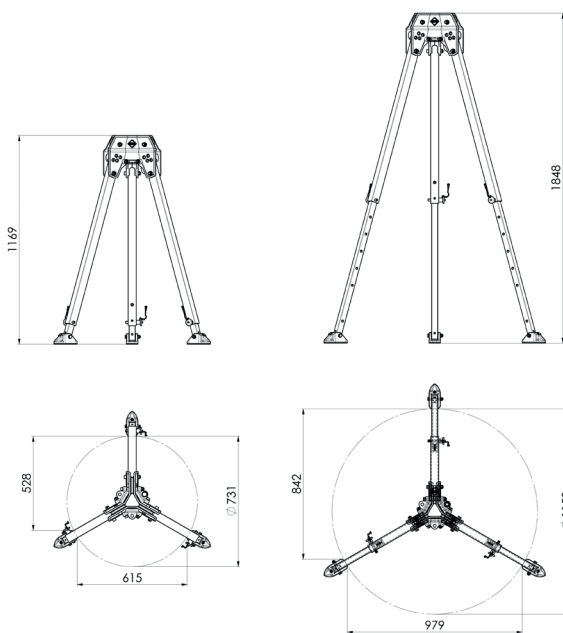
The assembly instructions for the tripods must be observed.

# DB-A3 short Dimensions

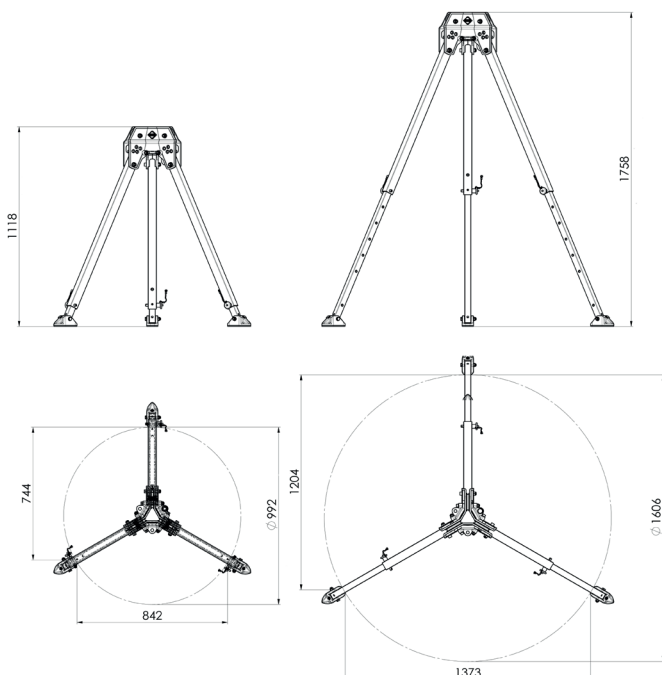


Transport length	ø Transport
1212	343

Heigh min.	Heigh max.	ø min	ø max.
1197	1895	422	642



Heigh min.	Heigh max.	ø min	ø max.
1169	1848	615	979



Heigh min.	Heigh max.	ø min	ø max.
1118	1758	842	1373