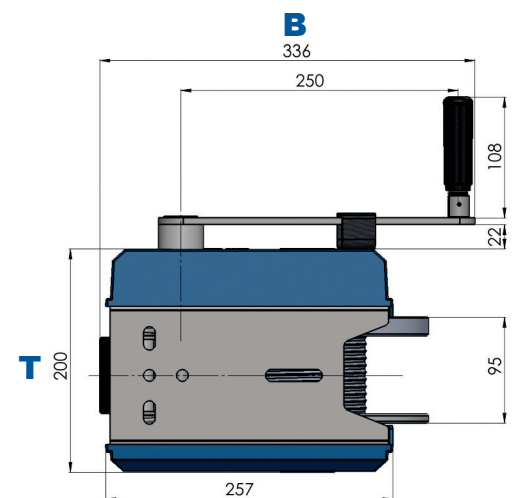
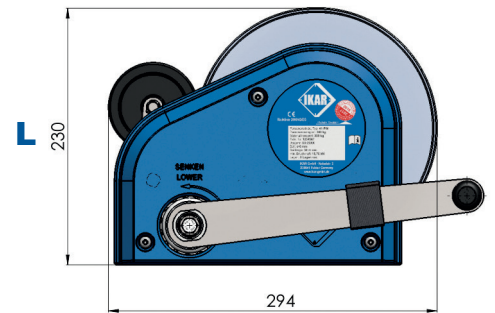


Personnel- and Load Winch RL 2006/42/EG

according to EN 1808:2015 certified



Product information:

Order No:	Rope length	Weight	Dimensions (LxBxT)
41-PLW-DA	max. 30 m	18,5 kg	230 x 336 x 200 mm

Features:

IKAR Personnel- and load winch:

- Hand crank winch for easy and jerk-free lifting and lowering of persons and loads
- Maximum load 300 kg
- Low twist stainless steel \varnothing 6 mm (minimum breaking load 18,76 kN)
- Rope length max. 30 m
- Recover handle length 250 mm
- Weight load winch ca. 18,5 kg
- Compatible with IKAR - Tripods and Cantilever arms