

EN Multifunction lanyard for work at height.
IT Cordino multiuso per lavoro in quota.

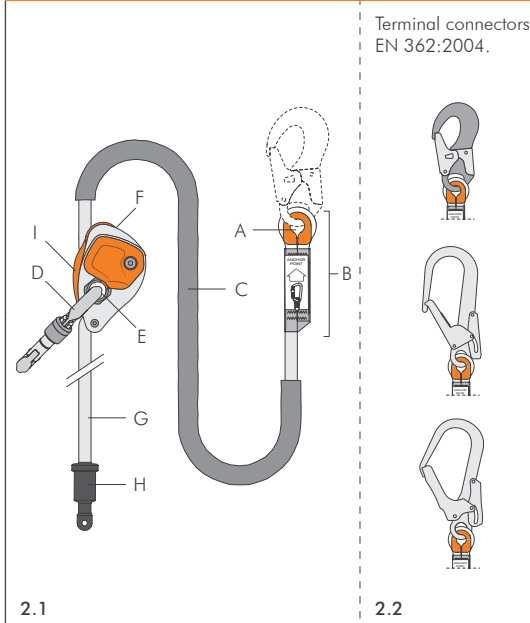
MADE IN ITALY
EN 358:2018 / EN 795:2012-B/C
CE 0333

Regulation (EU) 2016/425
Personal Protective Equipment against falls from a height.

i = G + So + S1 or S2

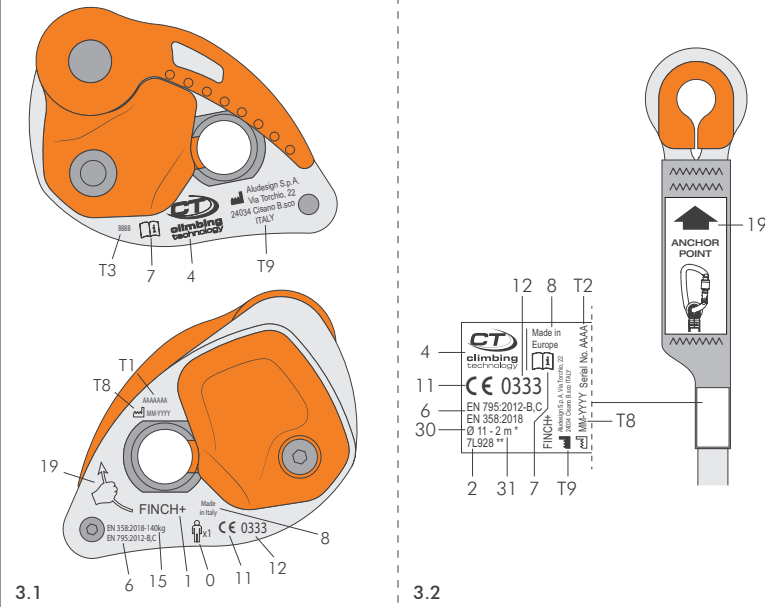
EN 12841:2006-C*
*All the standard's requirements are satisfied except clauses 4.1.2 and 4.1.3 which have not been considered (see paragraph 9 and Fig. 13).

2 NOMENCLATURE OF PARTS

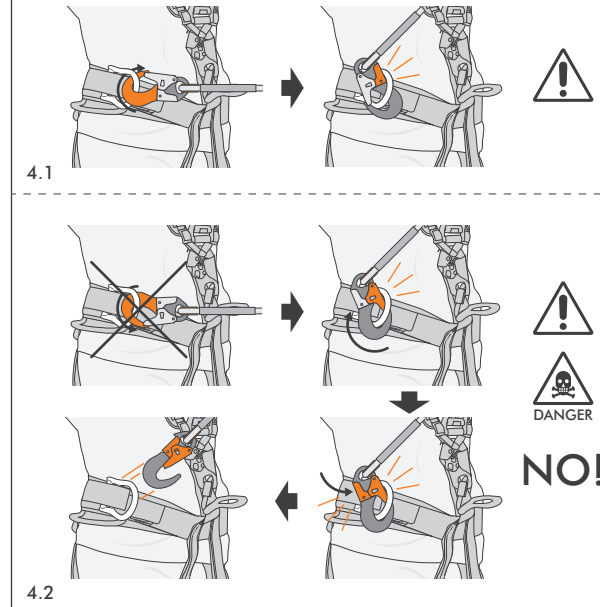


Terminal connectors
EN 362:2004.

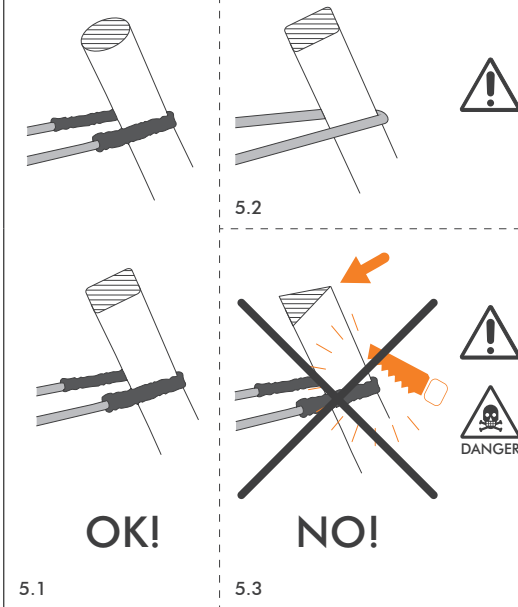
3 MARKINGS



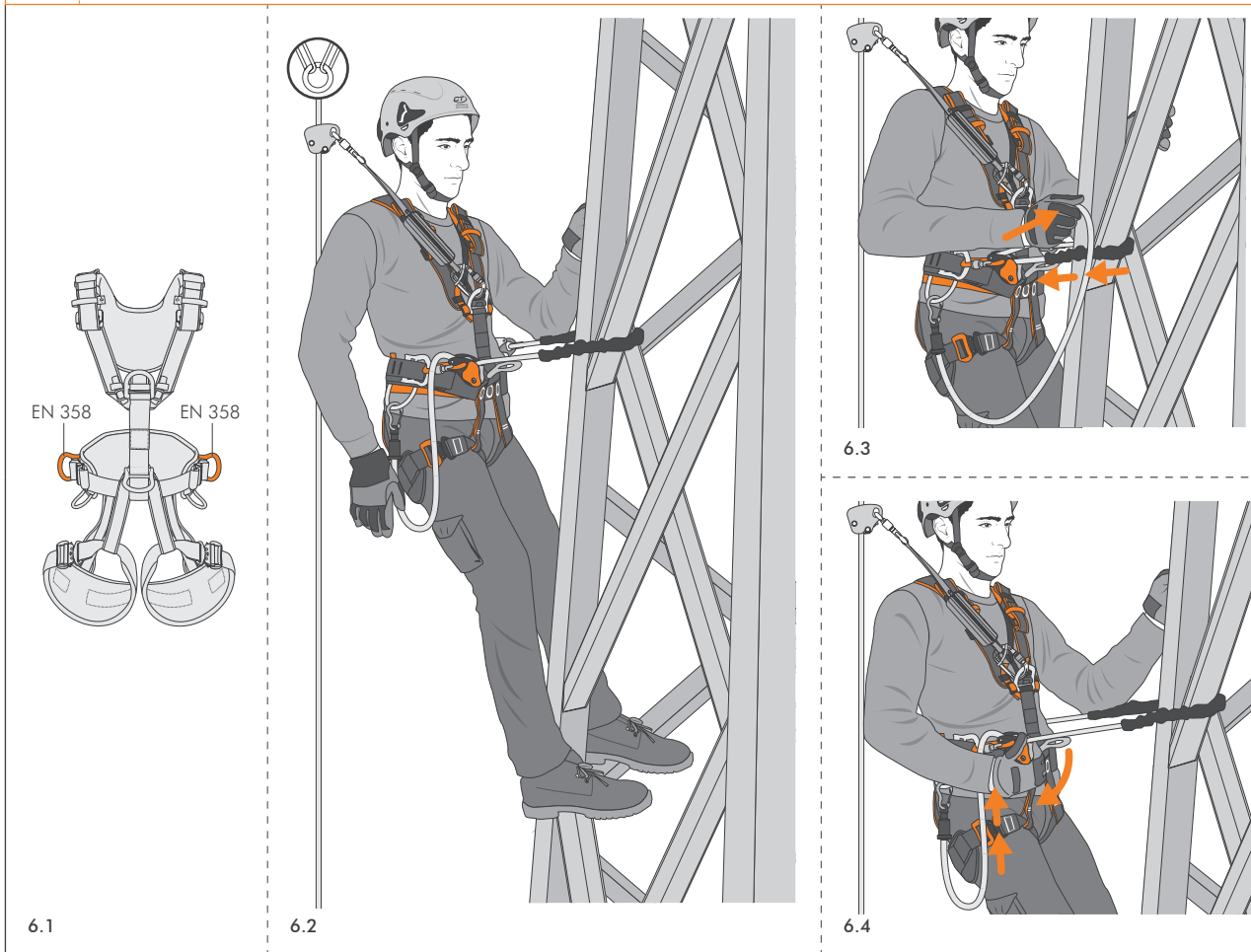
4 POSITIONING THE CONNECTOR



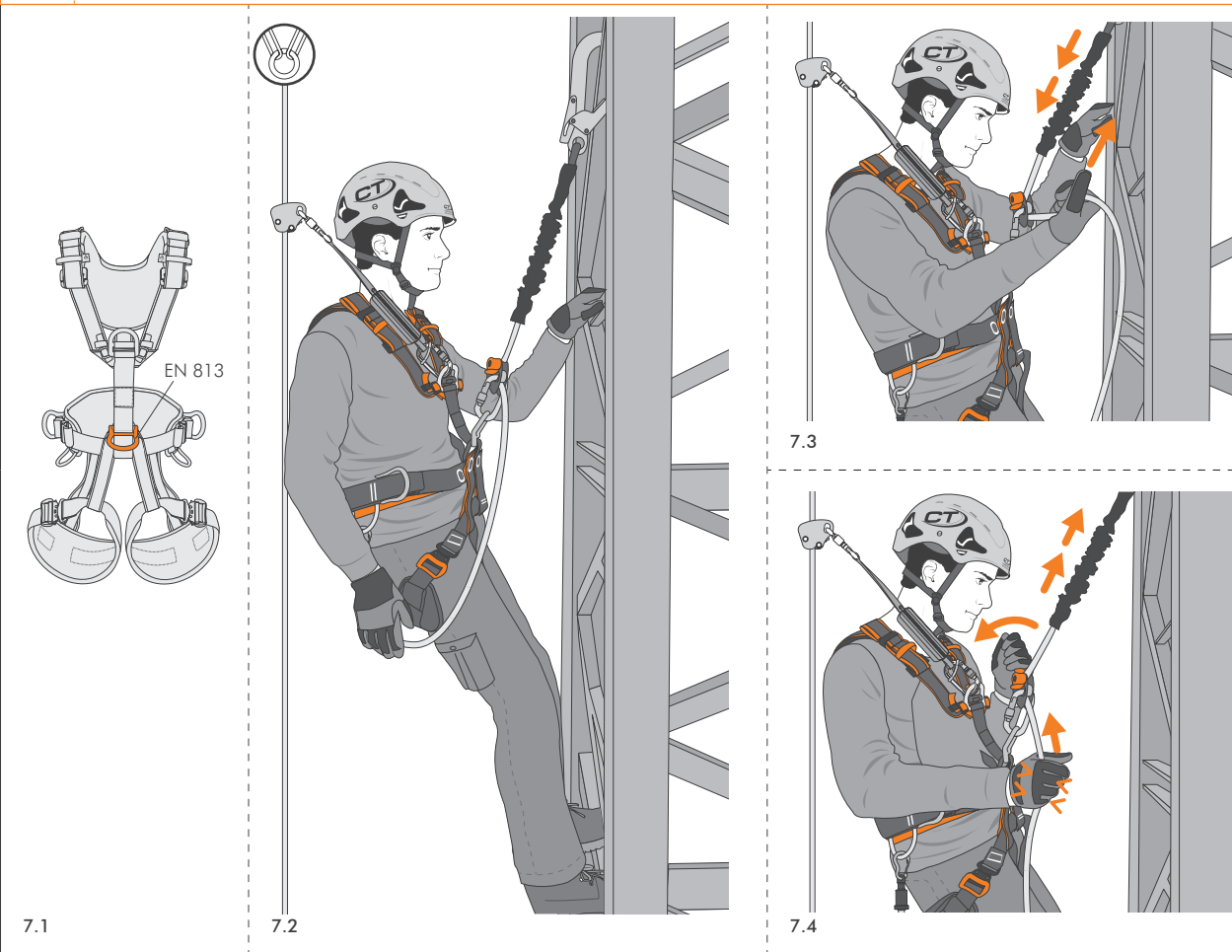
5 WARNING / BEWARE OF SHARP EDGES



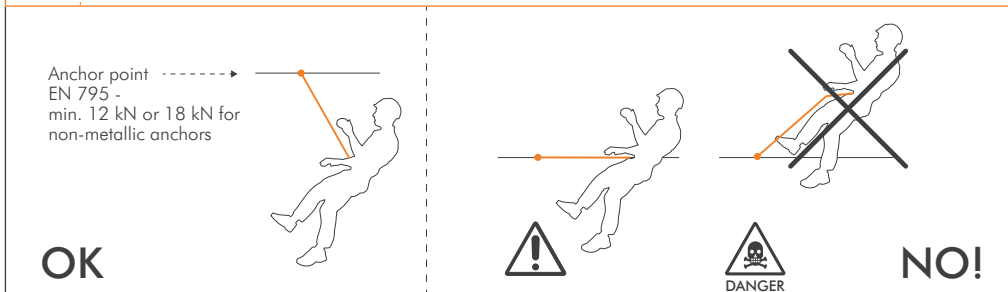
6 EN 358 / SIDE ATTACHMENT MODE



7 EN 358 / FRONT ATTACHMENT MODE



8 POSITION OF THE USER



ENGLISH

The instruction manual for this device consists of general and specific instructions, both must be carefully read and understood before use. **Attention!** This leaflet shows the specific instruction only. **SPECIFIC INSTRUCTIONS FINCH+.** This note contains the necessary information for a correct use of the following product/s: Finch+ (adjustable work positioning lanyard / temporary anchor device / horizontal lifeline / descender). **1) FIELD OF APPLICATION.** This product is a Personal Protective Equipment (PPE) for work positioning and prevention of falls from a height; it is compliant with the Regulation (EU) 2016/425. EN 358:2018 - Belts for work positioning and restraint and work positioning lanyards. EN 795:2012-B/C - Temporary anchor devices. EN 12841:2006-C - Rope adjustment device/ descender (all the standard's requirements are satisfied except clauses 4.1.2 and 4.1.3 which have not been considered; see paragraph 9 and Fig. 13). The product can only be used in combination with CE-marked equipment, work equipment such as connectors (EN 362), harnesses (EN 358/EN 361/EN 813) etc. **Attention!** For this product the indications of the standard EN 365 must be respected (general instructions / paragraph 2.5). **Attention!** For this product a periodic thorough inspection is compulsory (general instructions / paragraph 8). **1.1 - Intended uses.** Any activity carried out at height requires the use of Personal Protection Equipment (PPE) as a protection against the risk of a fall. Before accessing the work station, all the risk factors must be evaluated (environmental, concomitant, consequential). The equipment is designed for the following applications: prevention of falls from a height (EN 358 / EN 12841-C); protection against falls from a height (EN 795-B/C). **Caution!** Never use this equipment for lifting purposes. **Caution!** Be careful while using the equipment in close proximity of moving machinery or in case of electrical hazard. **2) NOTIFIED BODIES.** Refer to the legend in the general instructions (paragraph 9 / table D): M4; N1.

product can only be used in combination with CE-marked equipment, work equipment such as connectors (EN 362), harnesses (EN 358/EN 361/EN 813) etc. **Attention!** For this product the indications of the standard EN 365 must be respected (general instructions / paragraph 2.5). **Attention!** For this product a periodic thorough inspection is compulsory (general instructions / paragraph 8). **1.1 - Intended uses.** Any activity carried out at height requires the use of Personal Protection Equipment (PPE) as a protection against the risk of a fall. Before accessing the work station, all the risk factors must be evaluated (environmental, concomitant, consequential). The equipment is designed for the following applications: prevention of falls from a height (EN 358 / EN 12841-C); protection against falls from a height (EN 795-B/C). **Caution!** Never use this equipment for lifting purposes. **Caution!** Be careful while using the equipment in close proximity of moving machinery or in case of electrical hazard. **2) NOTIFIED BODIES.** Refer to the legend in the general instructions (paragraph 9 / table D): M4; N1.

3) NOMENCLATURE. (Fig. 2.1). A) Sewn termination with connection eyelet. B) Sewn-termination side of the rope. C) Rope protective sleeve. D) Connector of the rope adjustment device. E) Hole for the connector of the rope adjustment device. F) Cam. G) Free-end side of the rope. H) End-stop sleeve. I) Control lever. **3.1 - Main materials.** Refer to the legend in the general instructions (paragraph 2.4): 3; 7 (rope adjustment device); 7 (rope, protective sleeve). **4) MARKING.** Numbers/letters without caption: refer to the legend in the general instructions (paragraph 5). **4.1 - General** (Fig. 3). **Rope adjustment device:** 1; 4; 6; 7; 8; 11; 12; 15; 19. **Rope:** 2; 4; 6; 7; 8; 11; 12; 19; 30. **Rope diameter:** 31) Equipment length. **4.2 - Traceability** (Fig. 3). **Rope adjustment device:** T1; T3; T8; T9. **Rope:** T2; T8; T9. **5) COMPATIBILITY.** **5.1 - Connectors.** Only the EN 362 oval connector the equipment

comes equipped with, can be used in the hole on the rope adjustment device. **Caution!** Using a different connector (e.g. a large-base connector) may impair the proper functioning of the equipment. The sewn-termination loop of the equipment is compatible with all connectors complying with EN 362 and equipped with a locking gate (Fig. 2.2). The small eye in the end-stop sleeve must be used to keep the free-end side of the rope well organized, for example using a gear carabiner. **Danger of death!** Do not use to connect to an anchor point. **5.2 - Anchor points.** Only anchor points that comply with the EN 795 standard can be used (minimum strength 12 kN or 18 kN for non-metallic anchors) that do not have sharp edges. (Fig. 5). **6) INSTRUCTIONS FOR USE EN 358.** The equipment can be used as adjustable work positioning lanyard. **6.1 - Lateral attachment mode / EN 358.** Secure the connector of the rope adjustment device to one EN 358 lateral attachment point on the harness (Fig. 6.1). Pass the sewn-termination side of the rope around the anchor structure and connect the terminal connector to the other EN 358 attachment point on the harness in the correct position (Fig. 4.1-4.2). Adjust the positioning lanyard in such a way that it is in tension; that the anchor point is at a height equal to or greater than the height of the waist belt. **Attention!** Make sure the protective sleeve safeguards the rope. To reduce the distance from the anchor point, pull the free-end side of the rope with one hand (Fig. 6.3). To increase the distance, grab and slightly rotate the device with one hand while using the other hand to support yourself on the structure or to hold the free-end side of the rope (Fig. 6.4). **6.2 - Front attachment mode / EN 813.** Secure the connector of the rope adjustment device to the EN 813 ventral attachment point on the harness (Fig. 7.1) and connect the terminal connector directly to the anchor point (Fig. 7.2). Adjust the positioning lanyard in such a way that it is in tension; that the anchor point is at a height equal to or greater than the height of the waist belt. To reduce the distance from the anchor point, pull the free-end side of the rope with one hand (Fig. 7.3). To increase the distance, grab and slightly rotate the device with one hand, while using the other hand to hold the free-end side of the rope (Fig. 7.4). **Attention!** Operating the control lever without holding the free end of the rope may expose the user to the risk of a fall. **6.3 - Warnings.** 1) The adjustable lanyard for work positioning Finch is not meant for arresting a fall. In case the work placement exposes you to the danger of falling from a height, this device must be used in combination with an appropriate fall arrest system or collective protection. 2) The user must always be positioned below the anchor point (Fig. 8). 3) Once the lanyard is placed, it must be kept in tension in such a way to prevent a free fall superior to 0,5 m. 4) Maximum working load: 140 kg. 5) Using a work positioning system, the user is normally supported by the equipment. As a consequence, it is essential to consider using a backup system such as a fall protection system. 6) The presence of knots may compromise the proper functioning of the equipment. **7) INSTRUCTIONS FOR USE - EN 795-B.** The equipment can be used as temporary anchor device. **7.1 - Installation.** Pass the equipment around a structure with a suitable shape and strength; Secure the connector of the adjustment device and the terminal connector using an additional EN 362 connector with adequate strength (Fig. 9.2) or via a rigging plate. Adjust the length of the rope in order to create an angle that is not wider than 60° (Fig. 9.3) and to avoid uncontrolled movements while in use. Finally, tie a mule knot on the free-end side of the rope next to the adjustment device, combining it with an overhand knot. **Caution!** Make sure that the adjustment device does not lean against the structure (Fig. 9.4). **Caution!** The indicated values refer to tests carried out using structures with a circular cross-section: cross-sections with a different shape and any knot on the rope may reduce the strength of the equipment. **Caution!** Do not use the equipment over structures with sharp edges (Fig. 9.5). **8) INSTRUCTIONS FOR USE - EN 795-C.** The equipment can be used to create a horizontal single-span lifeline. **8.1 - Installation.** Install the equipment in between two anchor points, as shown (Fig. 10.1). Apply an initial tension of about 1 kN by pulling the free-end side of the rope in one of the following ways: two people pulling together (Fig. 10.2); one person only, using a 3:1 hauling system as a help (Fig. 10.3). Finally, tie a mule knot combined with an overhand knot on the free-end side of the rope next to the adjustment device. **Caution!** An excessive initial tension might slightly reduce the clearance distance in case of a fall while connected to a lifeline, but it increases the stress on the anchors. **Caution!** An incorrect installation is dangerous because it can drastically compromise the proper functioning of the equipment (Fig. 10.7). **8.2 - Use.** Only use the following devices for the connection to the lifeline: EN 354 restraint lanyard; EN 358 positioning lanyard; EN 355 lanyard with energy absorber. **Caution!** Follow the instructions of the device you are going to use, in particular regarding the position relative to the anchor and the clearance distance. **Caution!** The lifeline cannot be used in conjunction with an EN 360 retractable type fall arrester. **Caution!** Never use the horizontal lifeline in conjunction with a guided type fall arrester including a flexible anchor line (EN 353-2) that have not been tested together; it could significantly increase the clearance distance. **Caution!** Leaving the lifeline exposed to adverse weather conditions might compromise the level of safety it offers. **8.3 - Clearance distance** (Fig. 11) While installing the lifeline, take into consideration the value of the clearance distance, i.e. the minimum free space that must be guaranteed to prevent the user from colliding with the ground or any other obstacle in case of a fall. The clearance distance is given by the sum of the following values: A) deflection of the lifeline under load. B) Maximum length of the lanyard after the fall, including (if present) the extended length of the energy absorber. C) Conventional user's height (1.5 m). D) Safety margin (1 m). **8.4 - Deflection.** The values indicated for the deflection refer to tests carried out with dynamic stress of 9 kN. During these tests, the stress transmitted to the anchors is lower than 6 kN. **Caution!** A fall while in use might be less severe. **Caution!** Verify that the deflection of the lifeline under load or in the case of a fall does not bring the lifeline into contact with a sharp edge, a cutting edge or any other obstacle that could damage the rope. **8.5 - WARNINGS EN 795-B/C.** 1) Only competent persons or organisations should install anchor devices. 2) The installation must be appropriately verified, for example

IST23-7L928CT50_rev.2 09-20



1 TECHNICAL DATA

PRODUCT	REF No.	LENGTH	g
FINCH+	7L92802H0	2 m	560 g
	7L92803H0	3 m	640 g
	7L92804H0	4 m	720 g
	7L92805H0	5 m	800 g
	7L92810H0	10 m	1170 g
FINCH+ SHELTER	7L92815H0	15 m	1550 g
	7L92802HH	2 m	710 g
FINCH+ SHELTER	7L92803HH	3 m	790 g
	7L92804HH	4 m	870 g
	7L92805HH	5 m	950 g
FINCH+ COMBI	7L92802HE	2 m	1020 g
	7L92803HE	3 m	1100 g
	7L92804HE	4 m	1180 g
FINCH+ COMBI	7L92805HE	5 m	1260 g
	7L92802HK	2 m	980 g
	7L92803HK	3 m	1060 g
FINCH+ STEEL	7L92804HK	4 m	1140 g
	7L92805HK	5 m	1220 g

TERMINAL CONNECTOR			
FINCH+ SHELTER		2C370	21 mm
FINCH+ COMBI		2C353	60 mm
FINCH+ STEEL		3C351	50 mm

9 EN 795-B / TEMPORARY ANCHOR



10 EN 795-C / HORIZONTAL LIFELINE

11 EN 795-C / CLEARANCE HEIGHT

L	2 m	3 m	5 m	10 m	15 m	
A	0,4 m	0,5 m	0,9 m	1,7 m	2,7 m	

12 EN 12841-C / DESCENDER



13 EN 12841-C / REQUIREMENTS

4.1.1 - Anchor lines	Ø 11 mm
4.1.8 - Maximum rated load	120 kg
4.1.2 + 5.4.2 - Compatibility	Not taken into account (See section 9)
4.1.3 + 5.4.3 - Release prevention mechanism	Not taken into account (See section 9)
4.1.4 + 5.4.4 - Placement	OK
4.1.5 + 5.4.5 - Locking	OK
4.1.6 + 5.4.6 - Edge design	OK
4.1.7 - Corrosion resistance	OK
4.4.2 + 5.4.8.3 - Descent ability	OK
4.4.3 + 5.5.2 - Minimum working strength	OK
4.4.4 + 5.5.3 + 4.1.9 + 5.3.5 Minimum static strength + Functional requirements after conditioning to wet	OK
4.4.5 + 4.4.6 + 5.6.3 Dynamic strength + Residual strength	OK
4.4.7 + 4.4.8 + 4.4.9 + 5.7 Descent velocity + Effect on the anchor line + Temperature rise	OK

through calculation or tests. 3) Make sure after installation that the label is visible and readable. If not, you are advised to apply an additional labelling near to the anchor device. 4) Check the documentation that must be furnished by the installer after installation [EN 795:2012 - Annex A.2]. 5) Anchors devices are designed to be used by only one person at any one time; 6) When the anchor devices are part of a fall arrest system, the user must employ a device which limits the force generated by the dynamics of the fall to maximum 6 kN; 7) The anchor devices may be used only in PPE anti-fall systems and not in systems to lift loads; 8) It is recommended to mark each anchor device with the date of the last or next inspection (e.g. indelible label that does not modify the structure of the anchor device). 9) Maximum strength of the anchor and maximum load that can be transmitted to the structure: 18 kN.

9) INSTRUCTIONS FOR USE - EN 12841-C.

The device is compliant with all the requirements and tests of standard EN 12841:2006-C (descender), as shown in Fig. 13. Clauses 4.1.2 (Compatibility) and 4.1.3 (Release prevention mechanism) have not been considered since there is inconsistency between the requirements of standard EN 358:2018 (unopenable device) and those of standard EN 12841:2006-C (manually openable device). The device FINCH+ is a lanyard intended for work positioning compliant to EN 358:2018 that can also be used as a working line descender according to EN 12841:2006-C. For this reason, in order to open the device a tool is necessary; this operation has to be done by a competent person authorized by the manufacturer or so defined based on national standards and regulations. The equipment can be used as type C rope adjustment device for the descent along an anchor line. Max work load 140 kg. **Attention! Rope length adjusters must not be used for fall arrest. Attention! An anchor line loaded with the entire weight of the user, has to be considered a work line and is not meant to arrest a fall. It is mandatory to use a fall arrest back-up device type A connected to a safety line. Pay attention that the back-up system is never loaded on to the work line.**

9.1 - Descent (Fig. 12). Hold the free-end of the rope with one hand while gradually actuating the control lever with the other hand in order to adjust the speed of the descent. **Attention! Never lose governance over your abseil, it may result difficult to regain control.**

9.2 - Warnings. 1) Always wear a pair of good suitable gloves to protect your hands when manoeuvring the device and the rope. 2) Use only static or semi-static rope (core + sheath) Ø 11 mm certified to EN 1891 type A (For the certification of this device, the following rope has been employed: Patron PLUS Ø 11 mm); 3) There aren't restrictions for the length or slant of sloped pathways. 4) No special precautions are required when accessing sloped trails. 5) Any overloading or loading on the device can harm the anchor line. 6) Never use lanyards or extensions of any mean to connect the device to your harness. 7) During use, the anchor point must always be placed above the waist belt attachment point of your harness. 8) The technical performances of the anchor line might vary considerably, due to dirt, moisture, ice, repeated descents on the same stretch: keep in mind that these variances will influence the behaviour of the rope inside the device, and consequently, the speed of descent.

9.3 - Requirements EN 12841-C (Fig. 13). 4.1.1) Anchor lines. 4.1.8) Maximum rated load. 4.1.2 + 5.4.2) Compatibility. 4.1.3 + 5.4.3) Release prevention mechanism. 4.1.4 + 5.4.4) Placement. 4.1.5 + 5.4.5) Locking. 4.1.6 + 5.4.6) Edge design. 4.1.7) Corrosion resistance. 4.4.2 + 5.4.8.3) Descent ability. 4.4.3 + 5.5.2) Minimum working strength. 4.4.4 + 5.5.3 + 4.1.9 + 5.3.5) Minimum static strength + Functional requirements after conditioning to wet - min. 12 kN for 3 minutes. 4.4.5 + 4.4.6 + 5.6.3) Dynamic strength + Residual strength. 4.4.7 + 4.4.8 + 4.4.9 + 5.7) Descent velocity + Effect on the anchor line + Temperature rise.

10) REPLACEMENT PARTS / ACCESSORIES.

This product is compatible only with the spare parts and specific accessories listed below: rope*, protective sheath/cover*, adjuster connector. (Fig. 14). **Attention! The replacement of spare parts (except for the replacement of the adjuster connector and of the protective sheath in lanyards not equipped with sewn terminal connectors) can only be carried out by the manufacturer, by a competent person authorized by the manufacturer or by a competent person according to the current national regulations on PPE inspection. Attention! Accessories/spare parts marked with an asterisk (*) by themselves do not constitute PPE. Attention! Before installing an accessory/replacement part, carefully read and understand the instructions for use of the device on which it will be installed. Attention! Before use make sure that the accessory/spare part is correctly installed.**

14 SPARE PARTS

PRODUCT	REF No.	LENGTH
SPARE ROPE FINCH+	7W92802F0	2 m
	7W92803F0	3 m
	7W92804F0	4 m
	7W92805F0	5 m
	7W92810F0	10 m
	7W92815F0	15 m
SPARE ROPE FINCH+ SHELTER	7W92802FH	2 m
	7W92803FH	3 m
	7W92804FH	4 m
	7W92805FH	5 m
SPARE ROPE FINCH+ COMBI	7W92802FE	2 m
	7W92803FE	3 m
	7W92804FE	4 m
	7W92805FE	5 m
	7W92802FF	2 m
SPARE ROPE FINCH+ STEEL	7W92803FK	3 m
	7W92804FK	4 m
	7W92805FK	5 m
PROTECTIVE TUBULAR COVER	NFET9150650	-
ADJUSTER CONNECTOR	2C463 Pillar SG	-

ITALIANO

Le istruzioni d'uso di questo dispositivo sono costituite da un'istruzione generale e da una specifica ed entrambe devono essere lette attentamente prima dell'utilizzo. **Attenzione! Questo foglio costituisce solo l'istruzione specifica.**

Questo nota contiene le informazioni necessarie per un utilizzo corretto del seguente prodotto/te: Finch+ (cordino regolabile di posizionamento sul lavoro / ancoraggio provvisorio / linea di vita orizzontale / discensore).

1) CAMPO DI APPLICAZIONE.
Questo prodotto è un dispositivo di protezione individuale (D.P.I.); esso è conforme al regolamento (UE) 2016/425. EN 358:2018 - Cinture di posizionamento sul lavoro e trattenute e cordini di posizionamento sul lavoro. EN 795:2012-B/C - Dispositivi di ancoraggio temporanei. EN 12841:2006-C - Dispositivo di regolazione della fune / discensore (tutte le richieste della normativa sono soddisfatte ad eccezione dei punti 4.1.2 e 4.1.3 che non sono stati presi in considerazione; vedi paragrafo 9 - Fig. 13). Il prodotto è utilizzabile solamente con dispositivi marchiati CE, attrezzature da lavoro come connettori (EN 362), imbracatura (EN 358/EN 361/EN 813) etc. **Attenzione! Per questo prodotto devono essere rispettate le indicazioni della norma EN 365 (istruzioni generali / paragrafo 2.5). Attenzione! Per questo prodotto è obbligatorio un controllo periodico approfondito (istruzioni generali / paragrafo 8).**

1.1 - Destinazioni d'uso. Qualsiasi lavoro in quota presuppone l'impiego di Dispositivi di Protezione Individuale (DPI) contro il rischio di cadute. Prima di accedere alla postazione di lavoro si devono considerare tutti i fattori di rischio (ambientali, concomitanti, consequenziali). Il dispositivo è progettato per i seguenti scopi: prevenzione contro le cadute dall'alto (EN 358 / EN 12841-C); protezione contro le cadute dall'alto (EN 795-B/C). **Attenzione! Non utilizzare questo dispositivo**

2) ORGANISMI NOTIFICATI.
Consultare la legenda nelle istruzioni generali (paragrafo 9 / tabella D); M4; N1.

3) NOMENCLATURA (Fig. 2.1). A) Asola per connettore terminale. B) Lato terminale della corda. C) Guaina di protezione. D) Connettore del regolatore. E) Foro per connettore del regolatore. F) Camma di bloccaggio. G) Lato libero della corda. H) Manicotto fine corsa. I) Leva di comando.

3.1 - Materiali principali. Consultare la legenda nelle istruzioni generali (paragrafo 2.4): 3; 7 (regolatore); 7 (corda, guaina di protezione).

4) MARCATURA.
Numeri/lettere senza didascalia: consultare la legenda nelle istruzioni generali (paragrafo 5).

4.1 - Generale (Fig. 3). **Regolatore:** 1; 4; 5; 6; 7; 8; 11; 12; 19. **Corda:** 2; 4; 6; 7; 8; 11; 12; 19; 30) **Diametro della corda:** 10) **Lunghezza del dispositivo.**

4.2 - Tracciabilità (Fig. 3). **Regolatore:** T1; T8. **Corda:** T2; T8; T9.

5) COMPATIBILITÀ.

5.1 - Connettori. Nel foro del regolatore si deve utilizzare esclusivamente il connettore ovale EN 362 in dotazione. **Attenzione! L'uso di un connettore diverso (es. connettore a base larga) potrebbe compromettere il buon funzionamento del dispositivo.** L'asola terminale del dispositivo è compatibile con qualsiasi connettore a norma EN 362 provvisto di ghiera di bloccaggio (Fig. 2.2). Il piccolo foro presente all'estremità del manicotto di fine corsa serve per tenere in ordine il lato libero della corda, ad esempio per mezzo di un moschettone portachiusi. **Pericolo di morte! Non usare per il collegamento ad un punto di ancoraggio.**

5.2 - Punti di ancoraggio. Si devono utilizzare esclusivamente punti di ancoraggio, conformi alla norma EN 795 (resistenza minima 12 kN o 18 kN per ancoraggi non metallici), che non presentino spigoli taglienti (Fig. 5).

6) ISTRUZIONI D'USO EN 358.
Il dispositivo è utilizzabile come cordino regolabile di posizionamento sul lavoro.

6.1 - Modalità attacchi laterali / EN 358.
Collegare il connettore del regolatore ad un punto di attacco laterale EN 358 dell'imbracatura (Fig. 6.1). Fare passare il lato terminale della corda attorno alla struttura di ancoraggio e collegare il connettore terminale all'altro punto di attacco EN 358 dell'imbracatura in modo corretto (Fig. 4.1-4.2). Regolare il cordino di posizionamento in modo che risulti in tensione e che il punto di ancoraggio si trovi ad un'altezza uguale o superiore a quella della cintura. **Attenzione! Utilizzare la guaina di protezione per preservare la corda.** Per ridurre la distanza rispetto al punto di ancoraggio tirare con una mano il lato libero di corda (Fig. 6.3). Per aumentarla, impugnare e ruotare leggermente il dispositivo con una mano, sostenendosi alla struttura con l'altra mano o trattenendo con la stessa il lato libero della corda (Fig. 6.4).

6.2 - Modalità attacco frontale / EN 813.
Collegare il connettore del regolatore al punto di attacco ventrale EN 813 dell'imbracatura (Fig. 7.1) e collegare direttamente il connettore terminale al punto di ancoraggio (Fig. 7.2). Regolare il cordino di posizionamento in modo che risulti in tensione e che il punto di ancoraggio si trovi ad un'altezza uguale o superiore a quella della cintura. Per ridurre la distanza rispetto al punto di ancoraggio tirare con una mano il lato libero di corda (Fig. 7.3). Per aumentarla, agire progressivamente sulla leva di comando con una mano, trattenendo con l'altra il lato libero della corda in modo da regolare la velocità di sbloccaggio (Fig. 7.4). **Attenzione! Azionare la leva di comando senza trattenere il lato libero della corda può esporre al rischio di caduta.**

6.3 - Avvertenze. 1) Questo dispositivo non è adatto ad arrestare le cadute. Dove esista il rischio di caduta esso va integrato con dispositivi anticaduta individuali o, in alternativa, protezioni collettive. 2) L'utilizzatore dovrà trovarsi sempre al di sotto del punto di ancoraggio (Fig. 8). 3) Una volta posizionato, il cordino dovrà rimanere teso in modo tale da non consentire una caduta superiore a 0,5 m. 4) Carico di lavoro massimo: 140 kg. 5) Utilizzando un sistema di posizionamento sul lavoro, l'utilizzatore normalmente è sostenuto dall'equipaggiamento. Di conseguenza è essenziale considerare l'utilizzo di un sistema di backup, ad esempio un sistema anticaduta. 6) La presenza di nodi potrebbe compromettere il funzionamento del dispositivo.

7) ISTRUZIONI D'USO EN 795-B.
Il dispositivo è utilizzabile come ancoraggio provvisorio.

7.1 - Installazione. Avvolgere il dispositivo attorno ad una struttura di adeguata forma e resistenza. Collegare il connettore del regolatore e quello terminale mediante un ulteriore connettore EN 362 di resistenza adeguata (Fig. 9.2) o tramite una piastra multiancoraggio. Regolare la lunghezza della corda in modo da creare un angolo massimo di 60° (Fig. 9.3) e in modo da evitare movimenti non controllati durante l'utilizzo. Realizzare infine, sul lato libero della corda vicino al regolatore, un'asola di bloccaggio combinata con un nodo del pescatore. **Attenzione! Verificare che il regolatore non appoggi contro la struttura (Fig. 9.4). Attenzione! I valori indicati sono riferiti a test realizzati su strutture di sezione circolare: sezioni di forma differenti ed eventuali strozzature possono ridurre la tenuta del dispositivo. Attenzione! Non utilizzare i dispositivi attorno a strutture che presentino spigoli vivi (Fig. 9.5).**

8) ISTRUZIONI D'USO EN 795-C.
Il dispositivo è utilizzabile per creare una linea vita orizzontale a campata singola.

8.1 - Installazione. Installare il dispositivo fra due punti di ancoraggio come mostrato (Fig. 10.1). Applicare una tensione iniziale di circa 1 kN tirando il lato libero della corda nei seguenti modi: tramite l'impiego di due persone (Fig. 10.2); tramite l'impiego di una sola persona aiutata da un paranco 3:1 (Fig. 10.3). Realizzare infine, sul lato libero della corda vicino al regolatore, un'asola di bloccaggio combinata con un nodo del pescatore. **Attenzione! Una tensione iniziale eccessiva potrebbe ridurre leggermente il tirante d'aria in caso di caduta sulla linea vita ma aumenta le sollecitazioni applicate sugli ancoraggi. Attenzione! Un'installazione scorretta è pericolosa perché può compromettere drasticamente il funzionamento del dispositivo (Fig. 10.7).**

8.2 - Utilizzo. Per il collegamento alla linea vita utilizzare i seguenti dispositivi: cordino di trattenuta EN 354; cordino di posizionamento EN 358; cordino con assorbitor di energia EN 355. **Attenzione! Rispettare le indicazioni del dispositivo impiegato, in particolare la posizione rispetto all'ancoraggio e il tirante d'aria. Attenzione! La linea vita non può essere utilizzata in combinazione con un anticaduta retrattile EN 360. Attenzione! Non utilizzare la linea vita orizzontale in combi-**

nazione con un dispositivo di tipo guidato comprendente una linea di ancoraggio flessibile (EN 353-2) che non siano stati sottoposti a test assieme: ciò potrebbe aumentare in modo significativo il valore del tirante d'aria. **Attenzione! Lasciare la linea vita esposta alle interperie potrebbe comprometterne la sicurezza.**

8.3 - Tirante d'aria (Fig. 11). Durante l'installazione della linea di vita, tenere in considerazione il valore del tirante d'aria cioè lo spazio libero necessario affinché l'utilizzatore non urti il suolo o un ostacolo in caso di caduta. Il tirante d'aria equivale alla somma dei seguenti valori: A) Flessione della linea vita sotto carico. B) Lunghezza massima del cordino dopo la caduta, includendo (laddove presente) l'estensione dell'assorbitor di energia. C) Altezza convenzionale dell'utilizzatore (1,5 m). D) Margine di sicurezza (1 m).

8.4 - Flessione. I valori di flessione indicati sono riferiti a test realizzati con una sollecitazione dinamica di 9 kN. Durante tali test la sollecitazione trasmessa agli ancoraggi è inferiore a 6 kN. **Attenzione! Una caduta durante l'uso potrebbe essere meno grave. Attenzione! Verificare che la flessione della linea vita sotto carico o in caso di caduta, non porti la stessa ad entrare in contatto con uno spigolo vivo, un bordo tagliente o qualsiasi altro ostacolo che possa danneggiare la corda.**

8.5 - AVVERTENZE EN 795-B/C.

I dispositivi di ancoraggio devono essere installati solo da persone od organizzazioni competenti. 2) L'installazione deve essere verificata appropriatamente, ad esempio mediante calcoli o test. 3) Dopo l'installazione verificare che la marcatura sia accessibile e leggibile, in caso contrario si consiglia di apporre una marcatura addizionale vicino al dispositivo di ancoraggio. 4) Verificare la documentazione che deve essere fornita dall'installatore dopo l'installazione [EN 795:2012 - Allegato A.2]. 5) I dispositivi di ancoraggio sono progettati per l'uso da parte di una sola persona. 6) Quando i dispositivi di ancoraggio sono parte di un sistema di arresto caduta, l'utilizzatore deve essere equipaggiato con dispositivi che limitino la forza dinamica sviluppata sull'utilizzatore durante la caduta ad un massimo di 6 kN. 7) I dispositivi di ancoraggio possono essere utilizzati solo nei sistemi individuali di protezione contro le cadute e non in sistemi di sollevamento carichi. 8) Si raccomanda di marcare ciascun dispositivo di ancoraggio con la data dell'ultima o della prossima ispezione (es. con cartellino indelebile che non alteri la struttura del dispositivo di ancoraggio). 9) Resistenza massima dell'ancoraggio e carico massimo trasmissibile alla struttura: 18 kN.

9) ISTRUZIONI D'USO EN 12841-C.

Come rappresentato nella figura 13, il dispositivo ha superato tutti i requisiti e i test della normativa EN 12841:2006-C (Discensore). Solo i punti 4.1.2 (Compatibilità) e 4.1.3 (Prevenzione apertura) non sono stati presi in considerazione in quanto esiste un'incompatibilità fra i requisiti della EN 358 (dispositivo non apribile) e quelli della EN 12841-C (dispositivo apribile manualmente). Il dispositivo Finch+ è un regolatore di posizione EN 358 che può essere usato come discensore EN 12841-C. Per questo motivo è necessario l'uso di un attrezzo per poterlo aprire: questa operazione deve essere eseguita da parte di una persona competente autorizzata dal produttore o da una persona definita competente sulla base delle norme nazionali vigenti. Il dispositivo è utilizzabile come dispositivo di regolazione della fune di tipo C per la discesa su linea di ancoraggio. Carico di lavoro max 140 kg. **Attenzione! I dispositivi di regolazione della fune non sono idonei all'utilizzo in un sistema di arresto caduta. Attenzione! Quando una linea di ancoraggio è caricata dall'intero peso dell'utilizzatore diventa una linea di lavoro e non è adatta ad arrestare le cadute. È necessario quindi l'utilizzo di un dispositivo di regolazione di tipo A (anticaduta) collegato ad una linea di sicurezza. Porre sempre attenzione che il dispositivo anticaduta non vada in carico sulla linea di sicurezza.**

9.1 - Discesa (Fig. 12). Tenere con una mano il lato libero della corda e con l'altra mano agire progressivamente sulla leva di comando in modo da regolare la velocità di discesa. **Attenzione! Evitare di perdere il controllo durante la discesa, perché potrebbe essere difficile riprenderlo.**

9.2 - Avvertenze. 1) Per manovrare l'attrezzo e la corda utilizzare sempre un paio di guanti adeguati. 2) Utilizzare corde semistatiche (anima + calza) da 11 mm EN 1891 tipo A (per la certificazione sono state utilizzate le seguenti corde: Patron PLUS Ø 11 mm). 3) Non ci sono limitazioni di lunghezza o inclinazione della linea di lavoro. 4) Non sono necessari particolari accorgimenti in caso di utilizzo su piani inclinati. 5) Qualsiasi sovraccarico o carico dinamico sul dispositivo di regolazione può danneggiare la linea di ancoraggio. 6) Non utilizzare cordini per estendere il collegamento del dispositivo all'imbracatura o all'ancoraggio. 7) Durante l'utilizzo, il dispositivo si deve sempre trovare sopra il punto di aggancio dell'imbracatura. 8) Le caratteristiche della linea di ancoraggio possono variare durante l'utilizzo, a causa di usura, sporco, umidità o discesa ripetute sulla stessa parte della linea: tenere conto che queste condizioni possono influire sulla scorrevolezza della linea all'interno dell'attrezzo, cambiando la velocità di discesa. **9.3 - Requisiti EN 12841-C** (Fig. 13). 4.1.1) Linee di ancoraggio. 4.1.8) Carico meccanico massimo. 4.1.2 + 5.4.2) Compatibilità. 4.1.3 + 5.4.3) Meccanismo di prevenzione dello sbloccaggio. 4.1.4 + 5.4.4) Collocazione. 4.1.5 + 5.4.5) Bloccaggio. 4.1.6 + 5.4.6) Progettazione degli spigoli. 4.1.7) Resistenza alla corrosione. 4.4.2 + 5.4.8.3) Capacità di discesa. 4.4.3 + 5.5.2) Resistenza operativa minima. 4.4.4 + 5.5.3 + 4.1.9 + 5.3.5) Resistenza statica minima + Requisiti funzionali dopo il condizionamento al bagnato - min. 12 kN per 3 minuti. 4.4.5 + 4.4.6 + 5.6.3) Resistenza dinamica + Resistenza residua. 4.4.7 + 4.4.8 + 4.4.9 + 5.7) Velocità di discesa + Effetto sulla linea di ancoraggio + Innalzamento della temperatura.

10) PARTI DI RICAMBIO/ACCESSORI.

Questo prodotto è compatibile solo con le parti di ricambio e gli accessori specifici elencati di seguito: corda*, guaina di protezione*, connettore del regolatore. (Fig. 14). **Attenzione! La sostituzione delle parti di ricambio (ad eccezione della sostituzione del connettore del regolatore e della guaina di protezione su cordini sprovvisti di connettore terminale cucito) può essere effettuata soltanto da parte del produttore, di una persona competente autorizzata dal produttore stesso o da una persona definita competente sulla base delle norme nazionali vigenti in materia di controllo DPI. Attenzione! Gli accessori/parti di ricambio contrassegnati con un asterisco (*) da soli non costituiscono dei DPI. Attenzione! Prima di installare un accessorio/parte di ricambio, leggere e comprendere le istruzioni d'uso del dispositivo sul quale verrà installato. Attenzione! Prima dell'utilizzo verificare che l'accessorio/parte di ricambio sia correttamente installato.**

