

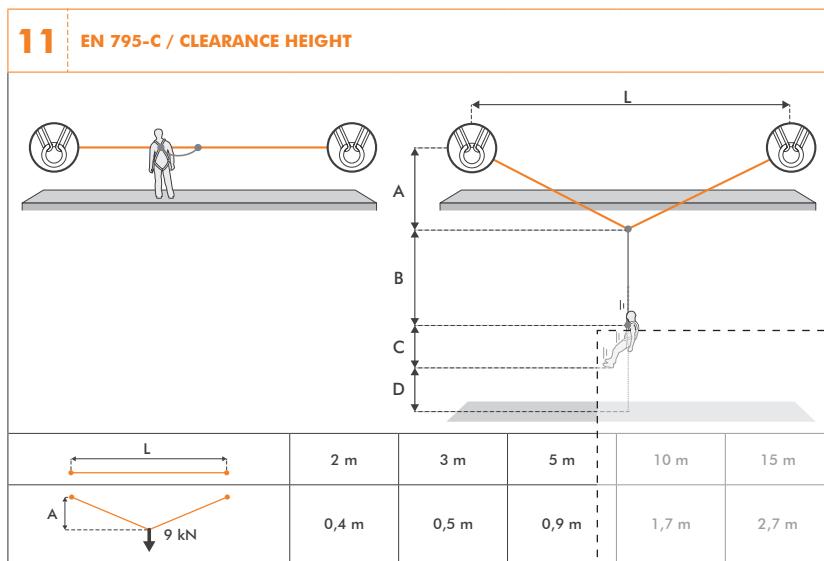

# FINCH+ WRONG VALUE ON THE USER MANUAL

Cisano Bergamasco, 17-09-2020

We have detected a wrong value on the user manual of the multi-use lanyard for work at height **FINCH+ (7L928\*\*)**.  
The code of the involved manual is **IST23-7L928CTS0\_rev.1 05-20**.  
We have already corrected this error and all the new products will be shipped with the correct version of the user manual.


**THE ERROR IS INCLUDED IN THE PICTURE 11.**

The value of the clearance height for the 15 meters model is indicated as **1,6 m** instead of **2,7 m**.

10 m	15 m
1,7 m	<b>1,6 m</b>

**NO!**



10 m	15 m
1,7 m	<b>2,7 m</b>

**OK!**