





# ADV PARK I ADV PARK Y

EN lanyard for adventure park Adv Park I and Y.  
 HU Adv Park I és Y kalandparkos kántár.  
 GR Αναβάτης για πάρκο περιπέτειας Adv Park I και Y.  
 PL Smycz do parku rozrywki Adv Park I i Y.  
 EE Adv Park I ja Y trosseltrapp seklusparkidele.  
 LV Štāpnes piedziņojumi parkiem Adv Park I un Y.  
 LT Nuotyklių parko „Adv Park I“ ir „Y“ virvė.  
 BG Ремък за парк с приключения Adv Park I и Y.  
 HR Sidišna uzica za avanturistički park Adv Park I i Y.  
 CN 冒险公园绳索 Adv Park I 和 Y。  
 JP アドベンチャーパーク用ランヤード「Adv Park I & Y」。

**MADE IN EUROPE**  
**NOT TO BE USED FOR VIA FERRATA**



Regulation (EU) 2016/425  
 Personal Protective Equipment against falls from a height.

i = G + S

by Aludesign S.p.A. via Tarchio 22  
 I 24034 Cisono Basco BG ITALY  
 Central tel: +39 035 78 35 95  
 Central fax: +39 035 78 23 39  
 www.climbingtechnology.com

## 1 TECHNICAL DATA

MODEL	Ref. No.	L	g	kN
ADV PARK I	7W171030	30 cm	65 g	15 kN
	7W171045	45 cm	75 g	
	7W171070	70 cm	90 g	
ADV PARK Y	7W172060	60 cm	130 g	15 kN
	7W172085	85 cm	160 g	

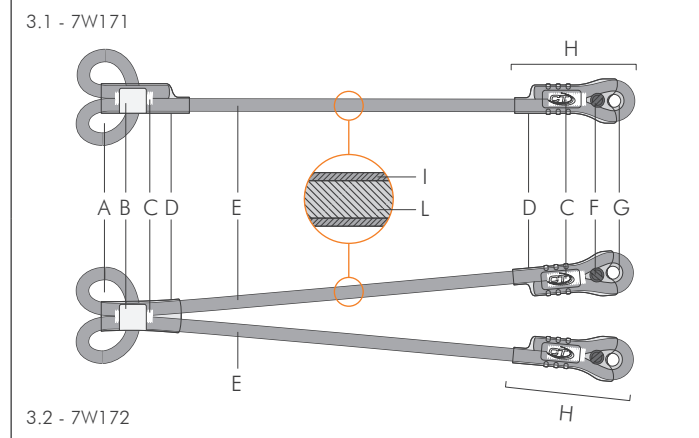
**SPARE PARTS**

Anti-torsion thimble	Ref. No. 6V839	
Fastening screws	Ref. No. ARIVET08	

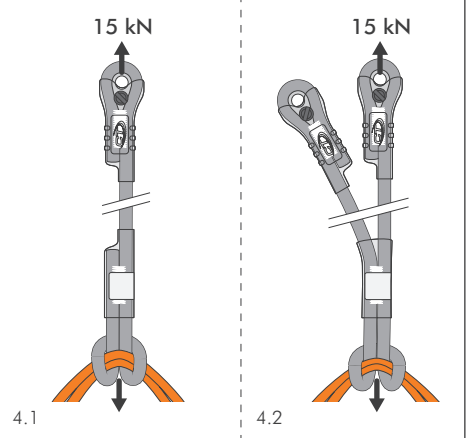
## 2 MARKING

14 T8 T2 7  
 4 CT climbing technology Serial No. AAAA 15 kN 12  
 1 ADV PARK Y Made in Europe CE 0333 11  
 30 NOT TO BE USED FOR VIA FERRATA Aludesign S.p.A. Via Tarchio, 22 24034 Cisono Basco ITALY  
 8 T9

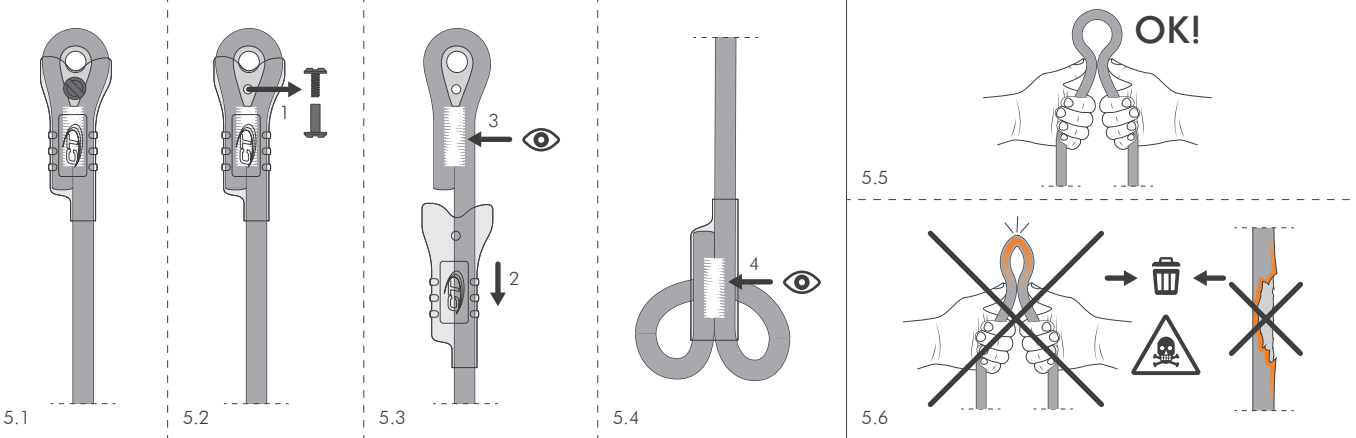
## 3 NOMENCLATURE OF PARTS



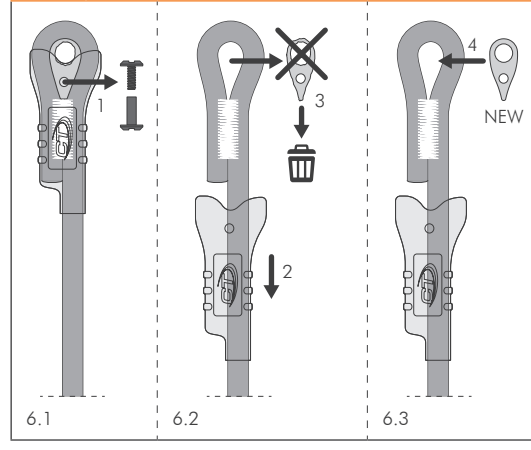
## 4 BREAKING LOADS



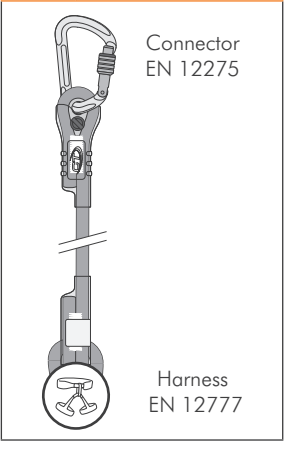
## 5 INSPECTION OF SEWN JOINTS AND ROPE



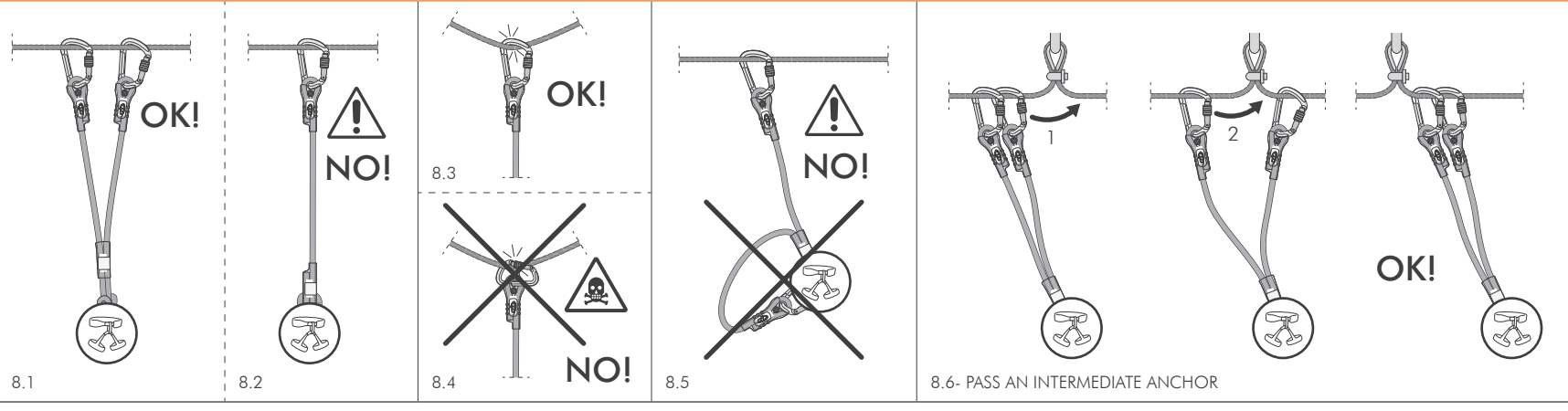
## 6 REPLACEMENT OF THE OGIVE



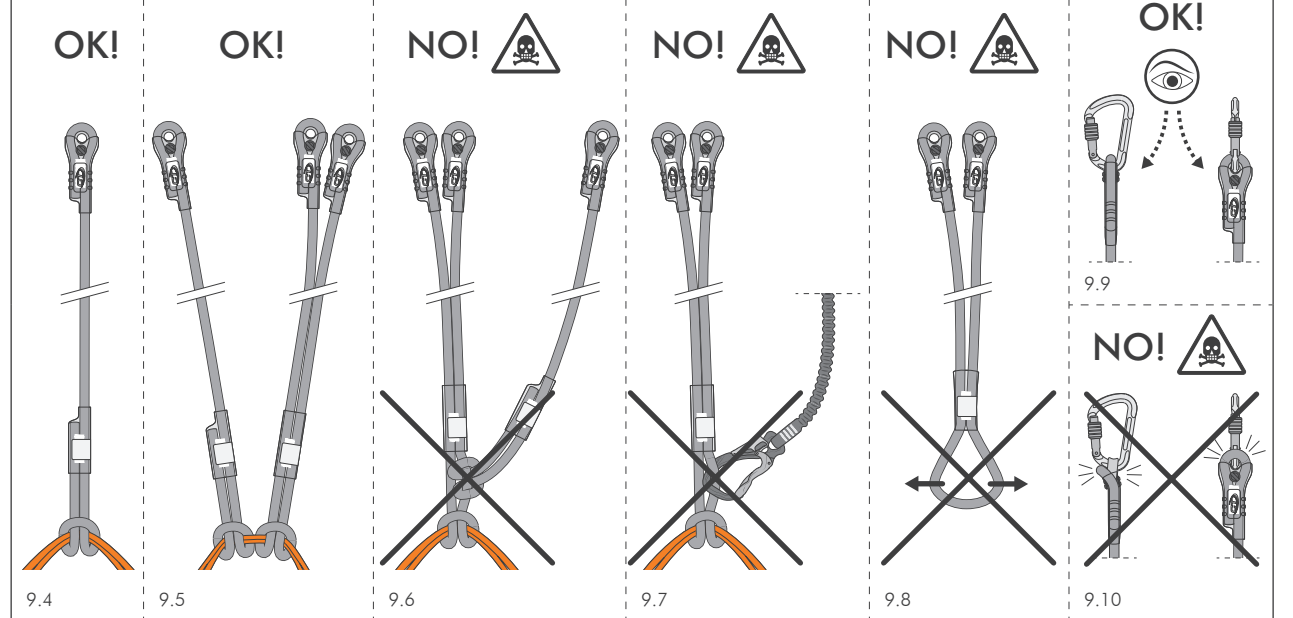
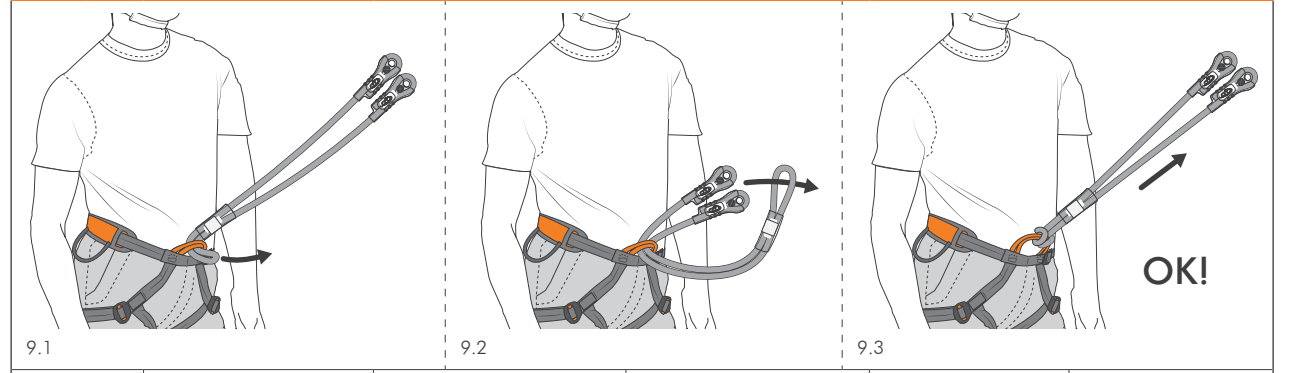
## 7 COMPATIBILITY



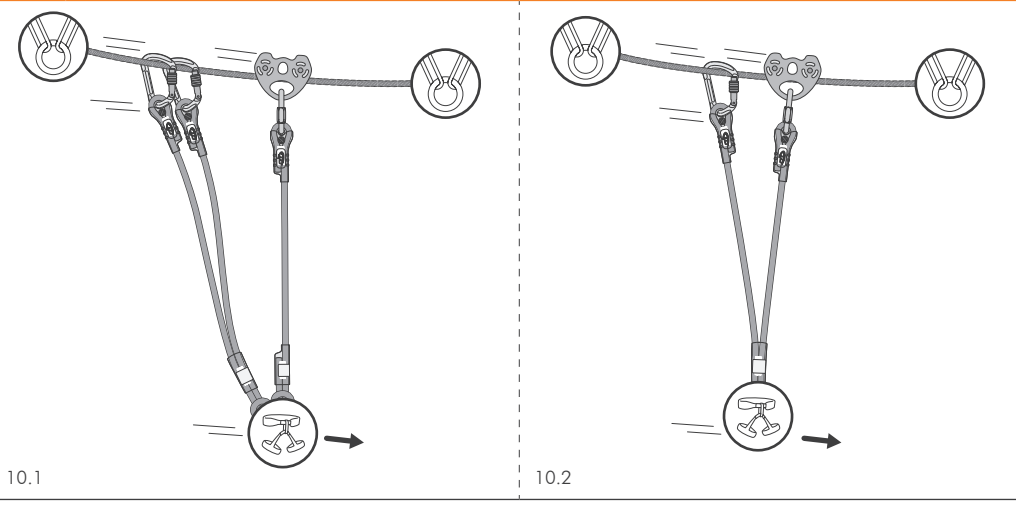
## 8 HORIZONTAL PROGRESSION



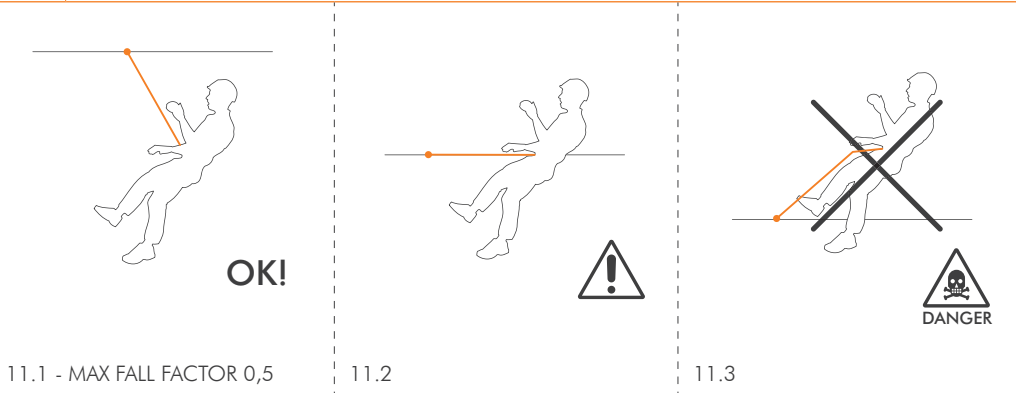
## 9 INSTALLATION



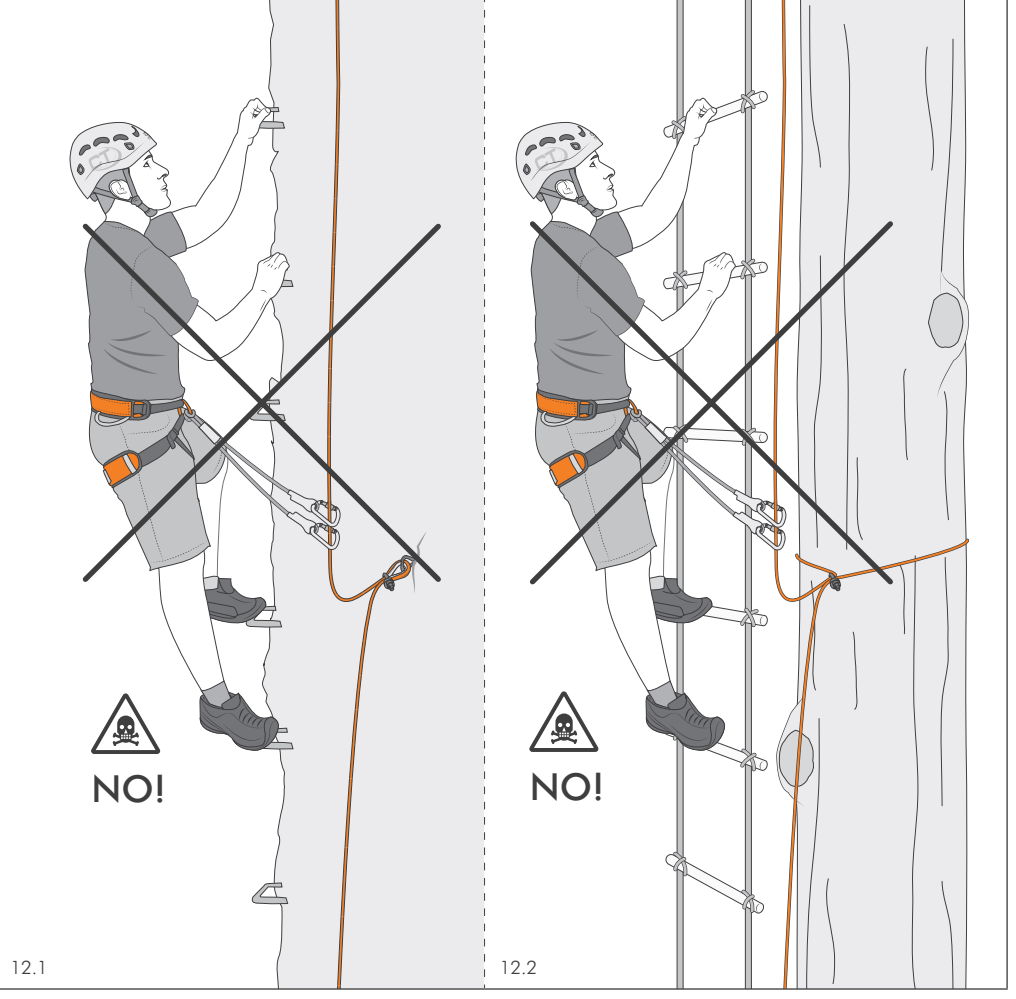
## 10 TYROLEAN



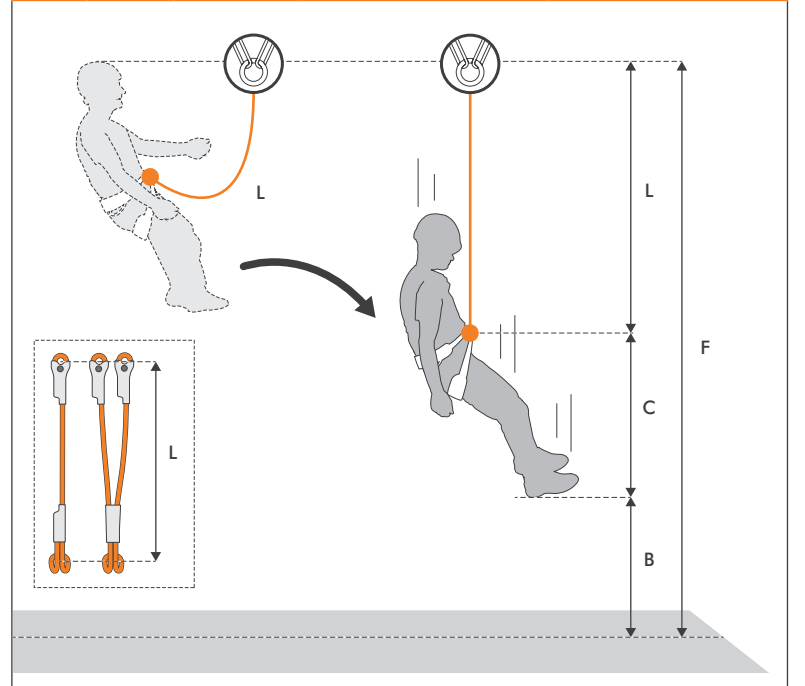
## 11 FALL FACTOR



## 12 ATTENTION! NOT TO BE USED FOR VIA FERRATA / VERTICAL PROGRESSION



## 13 CLEARANCE HEIGHT



FALL FACTOR 0,5

Ref. No.	L	B	C	F Clearance height
7W171030	30 cm	100 cm	120 cm	250 cm
7W171045	45 cm			265 cm
7W171070	70 cm			290 cm
7W172060	60 cm			280 cm
7W172085	85 cm			305 cm

## ENGLISH

The instruction manual for this device consists of general and specific instructions, both must be carefully read and understood before use. **Attention!** This leaflet shows the specific instruction only.

**SPECIFIC INSTRUCTIONS ADV PARK I-Y.**  
 This note contains the necessary information for a correct use of the following product/s: lanyard for adventure park Adv Park I and Y.

**1) FIELD OF APPLICATION.**  
 This product is a personal protective device (PPE) against falls from height; it is compliant with the Regulation (EU) 2016/425. Adv Park Y model is intended for horizontal progression with crossing of intermediate anchors and for use on ziplines. **Caution!** These products are not intended for vertical progression (Fig. 12.2) and they must not be used as EN 958 energy absorbing systems for via ferrata (Fig. 12.1) nor as EN 354 restraint lanyards. **Attention!** For this product a periodic thorough inspection is compulsory (general instructions / paragraph 8).

**2) NOTIFIED BODIES.**  
 Refer to the legend in the general instructions (paragraph 9 / table D): M1; N1.

**3) NOMENCLATURE (Fig. 3).**  
 A) Connection loop. B) Explanatory label. C) Safety stitching. D) Protective sleeve. E) Arm/arms. F) Protective-sleeve fastening screw. G) Anti-torsion thimble. H) End loop. I) Sheath. L) Core. **Caution!** If needed, the thimbles can be replaced with the appropriate replacement parts (see paragraph 10), following the specific instructions (Fig. 6).

**3.1 - Main materials.** Refer to the legend in the general instructions (paragraph 2.4); 7 (rope); 13 (stitching).

**4) MARKING.**  
 Numbers/letters without caption: refer to the legend in the general instructions (paragraph 5).

**4.1 - General (Fig. 2).** Indications: 1; 4; 7; 8; 11; 12; 14; 30) Warning stating that the equipment must not be used for via ferrata climbing.

**4.2 - Traceability (Fig. 2).** Indications: T2; T8; T9.

**5) CHECKS.**  
 Further to the checks listed below, comply with what indicated in the general instructions (paragraph 3). **During the periodic inspection make sure that:** the rope shows no sign of damage (Fig. 5.6) and that, when the rope is bent as shown in figure (Fig. 5.5+5.6), the resulting curve looks even (Fig. 5.5); the whole stitching shows no sign of damage (Fig. 5.3-5.4). **Caution!** In check the stitching over the end loop, the protective sleeve must be removed, taking off the fastening screw first (Fig. 5.1+5.3).

**6) WARNINGS.**  
 While in use: the lanyard must be taut at all times; the user must always be positioned below the anchor point; the fall factor should never be greater than 0.5 (Fig. 11); pay attention to the risk of entrapment (strangulation, trauma to the larynx, etc.). **Attention!** Use of incorrect knots on the device could reduce its strength.

**6.1 - Fall clearance distance (Fig. 13).** The fall clearance distance is the minimum distance needed under anchor point in order to avoid the collision with the structure, the ground, or other obstacles, in case of a fall from a height. The fall clearance (F) is given by the length of the device (L) plus an additional distance of at least 2.2 m (B+C). **Attention!** Before and during each use it is essential to consider the clearance value required by the equipment in use.

**7) HORIZONTAL PROGRESSION.**  
 Adv Park Y model can be used for horizontal progression with crossing of intermediate anchors.

**7.1 - Installation.** Secure the connection loop of the lanyard to the belay loop of an EN 12277 harness, using a lark's foot knot exclusively (Fig. 9.1+9.3). Install a EN 12275 connector with locking gate, preferably auto-locking, on

