

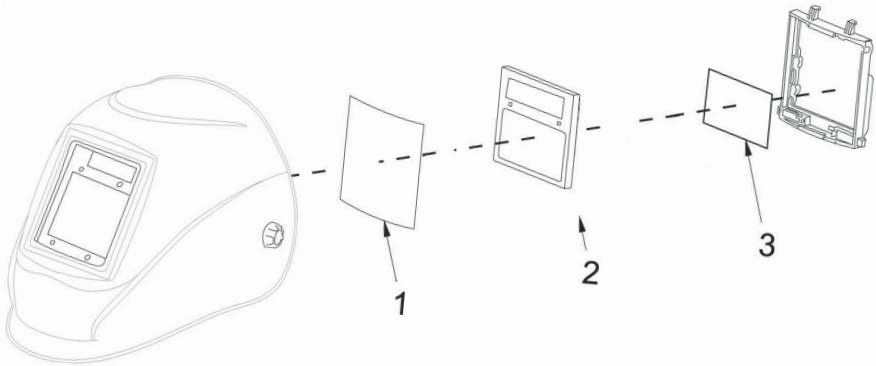
Flash // user manual //

Start-up and first settings :

First, you must remove the transparent film from outer screen guard.
The FLASH welding mask is then directly usable after unpacking. It is unnecessary to power up the mask, the filter darkens directly in the presence of a light source. However, we recommend to test its operation with a flash of light (lighter, flashlight ...).

To ensure a perfect fit, we recommend you to do the comfort settings on headband.

Welding mask maintenance :



1) Outer screen guard : if this screen is dirty, damaged or scratched, Bollé Safety recommends you change it. Ideally, the screen needs to be changed weekly (1 time / week) (ref. COVFLASHEXT).

2) Auto-darkening filter B9V : the auto-darkening filter works with a **CR2450 battery**. The indicator «LOW BATTERY» on the filter, inside the mask, flashes a few minutes before full battery depletion. Check the proper functioning of the filter before each use and replace the battery if necessary.

3) Inner screen guard : Bollé Safety recommends regular cleaning with a microfiber cleaning cloth and/or B-Clean (cleaning solution, antibacterial, antistatic) (ref. B100 or B500). If this screen is scratched or damaged, then Bollé Safety recommends to change it monthly (1 time / month) (ref. COVFLASHINT).

Hygienic straps : designed to provide comfort and to absorb sweat, Bollé Safety recommends changing it every month in the interests of hygiene (ref. BESM).

STORAGE : the mask, if it is not used, should be stored away from light. It is best to set the filter position on «GRIND» to avoid running down the battery. After a long period of storage, it is recommended to leave the filter in the light for a few seconds to load the solar cell before using the mask.

Frequently asked questions :

If your filter is not darkened, it means:

- your outer screen guard is damaged,
- the light sensors are damaged, in this case make sure they are clean, you can clean them with a B-Clean cloth.
- the sensitivity setting is too low (adjust higher)
- check the shade setting, make sure not to be on the «GRIND» position,
- the battery is low, replace it (CR2450 reference).

The filter darkens without any arc effect:

- the sensitivity setting is not suitable. It is too high. Decrease the sensitivity to obtain the proper setting using the «SENSITIVITY» button.



The screen remains dark after the end of welding:

- the delay it returns to the initial clear state is too long.
Reduce the delay by using the button «DELAY».



Your mask slips or falls from your head :

- The headband is not properly adjusted, check the video shown on the front of this document to adjust the fit.

Advice settings :

Guide to welding shades :

Amperage (A)	1.5	6	10	15	30	40	60	70	100	125	150	175	200	225	250	300	350	400	450	500	600	
PLASMA / Plasma arc cutting									9	10	11		12			13						
Coated electrodes					8			9		10		11			12			13				14
M.A.G.						8		9		10			11			12					13	14
T.I.G on metals or metal alloys			8				9		10			11			12		13					
M.I.G on heavy metal									9		10			11		12					13	14
M.I.G on light alloys											10			11		12					13	14
ARC-AIR/Arc-Air gouging											10		11		12		13				14	
MICRO-PLASMA / Micro plasma welding	4		5		6		7		8		9		10		11		12					

To select the correct filter shade, firstly use the switch inside the helmet to select the corresponding shade range(choose between «5-8» or «9-13») then select the precise shade on the setting button «SHADE» or select the «Grinding» position to obtain shade 4 (filter's clear state).

For example to select the shade 9, set the switch of the filter inside the helmet on position «9-13» then select via the «SHADE» button the position 9. For shade 4, simply select the «Grind» position on the second filter switch.

Recommended setting for TIG welding or continuous welding:

- time to return to clear state : «MAX» position
- highest sensitivity: «HI» position



Recommended setting for spot welding:

- time to return to clear state : «MIN» position
- highest sensitivity: «HI» position



Recommended setting for MIG / MAG welding:

- time to return to clear state : «MAX» position
- highest sensitivity: «HI» position



Recommended setting for Plasma welding:

- time to return to clear state : «MAX» position
- highest sensitivity: «HI» position



Generally, it is recommended for any type of welding to adjust sensitivity on the highest level , «HI» position.

Europe / Bollé Safety

95, rue Louis Guérin
69100 Villeurbanne - France
Tél. 00 33 (0)4 78 85 23 64
Fax : 00 33 (0)4 78 85 28 56

E-mail : contact@bolle-safety.com

UK & Ireland / Bollé Safety

Unit C83 - Barwell Business Park
Leatherhead Road - Chessington
Surrey - KT9 2NY
Tel. 00 44 (0)208 391 4700
Fax: 00 44 (0)208 391 4733

E-mail: sales@bolle-safety.co.uk